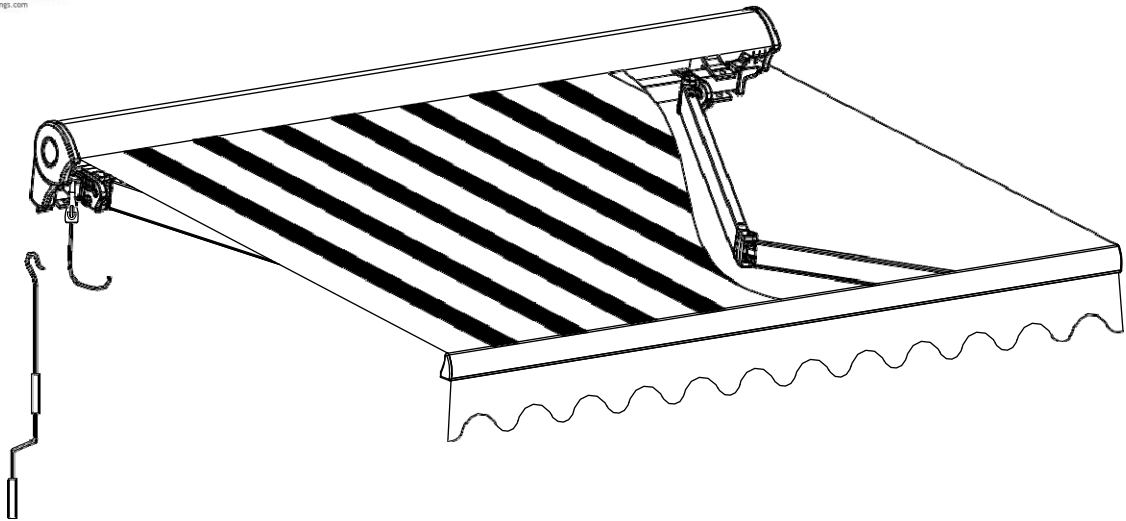




Instruction manual for Retractable Awning

(EM3430L-5.95x3.5m/3.95x2.5m)



Contents

Packaginglist.....	2
Description.....	3
Safetyinstructions.....	3-4
Preparation.....	4
Mounting.....	5-8
Operation.....	8
Adjusting pitch angle.....	8
Extend and retract awning.....	9-10
EngineSetting.....	11
General notes of theawningfabric.....	12
Electricalconnectionguide.....	13



Attention!

Read the operator's instruction before the mounting and use of the product. Keep the instruction in a safe place for future reference.


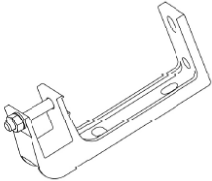









Dear Customer,

Congratulations for buying an awning out from the electrical awning. For your own and the safety of other people please pay attention to the following leads and follow safety instructions.

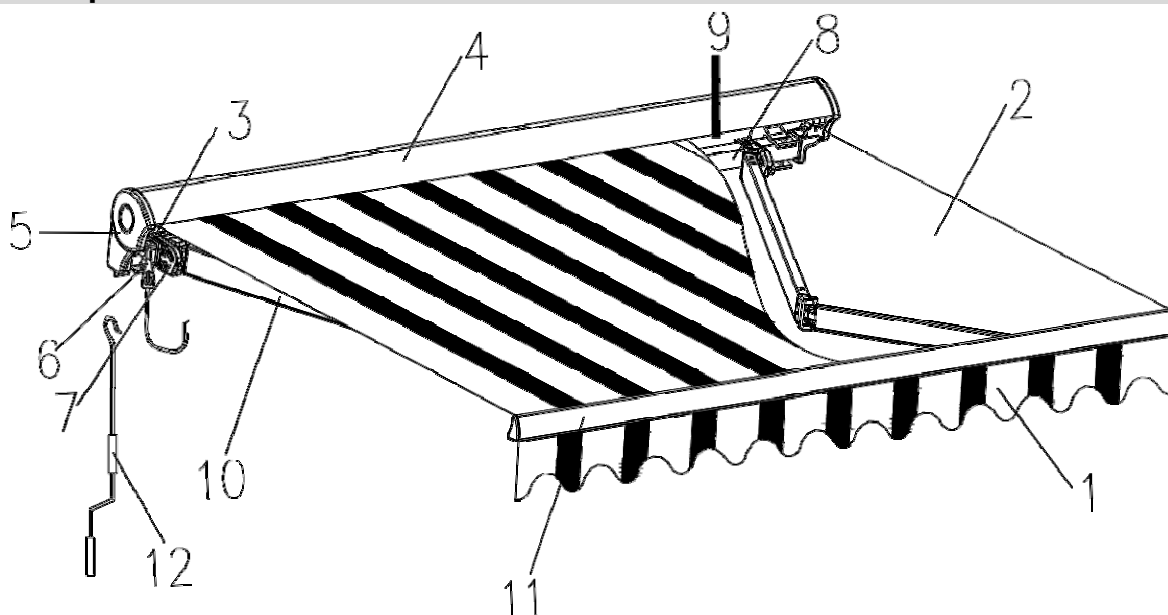
Before you start mounting and using the awning, please get familiar with this product. Make sure all parts listed up in below packing lists are delivered and intact. If you find that there are parts missing or damaged please do not install the awning but contact your dealer.

Packing list

No matter which type of the awning series you bought, the following parts should be in the package:

Part	Quantity	
 Awning	1	
 Bracket with hexagon head bolt and locknut for wall and ceiling	≤5m	≤6m
   Screw Plastic Bolt Gasket	6	8
 Anchor with locknut, washer and locking ring	6	8
 Crank handle	1	
 Instruction manual	1	
 Remote control	1	
 Motor adjustor	1	
 Hook	1	

Description



1	Valance	6	Gear box	11	Front bar
2	Fabric	7	Angle adjustment	12	Crank
3	Bracket	8	Torsion bar		
4	Rain cover	9	Roller		
5	Side cover	10	Arm		

Important safety instructions!

WARNING – IT IS IMPORTANT FOR SAFETY OF PERSONS TO FOLLOW THESE INSTRUCTIONS. SAVE THESE INSTRUCTIONS

Symbol explanation



This warning triangle calls attention to hazards that can lead to death or to severe injuries or which are important for the functioning of the awning.



This sign identifies important notes.

Safety instructions















To install this awning technical knowledge is necessary. Do not mount this awning yourself if

- you are unsure if the awning can be mounted on the place you chose for installation.
- you do not understand the instruction manual or parts of it.
- you do not have necessary tools available.
- you do not have necessary technical knowledge.




A minimum of three healthy adults are required to move and install the awning as the product is big and heavy. Do not try to install the awning alone. If the awning falls, it could cause serious injuries and damages! Contact an authorized assembler for help.

-  Do not install the awning when you find damage parts are that parts are missing.
-  Do not allow children to play in the working area during assembly
-  This product is only suitable for installation in the cement wall or ceiling.
-  Nobody is allowed to change the products' design and structure without the permission of manufacture or authorized deputy.
-  Please make sure that your hands are clean at the time of the assembly; otherwise you may soil the awning fabric and frame.
-  The operation in frosty conditions may damage the awning.
-  The operation in snowy conditions may damage the awning.
-  In case of rain Retract the awning if pitch angle is less than 14°.
-  Nobody is allowed to climb onto the awning; hanging anything on the awning is
-  Sheeting was used to protect the paint. This must be removed afterwards.
-  When extended, various forces, including wind and rain, will affect an awning. These sometimes substantial forces must be absorbed by the awning and transferred to the assembled structure via its mounting brackets. Under extreme loads, excessive attractive force can be exerted on the anchor bolts. Therefore, before starting assembly, check the load-bearing capacity of the mounting base and if necessary take corresponding measures to ensure stable installation of the brackets. If the mounting base is unstable, you may wish to consult a specialist in your vicinity.
-  The awnings are intended as a protection against the sun only. It is not to be used during periods of strong wind, rain, hail, or snow. In case of such conditions, retract the awning immediately.

Preparation

Carefully remove the awning from the box and remove the styrofoam protectors from the awning. Remove the plastic bags and plastic guards from the awning and carefully place the awning aside to avoid having it damaged by scratches or otherwise damaged or soiled during assembly. Check the number of parts in the packaging whether the packing list requirements, the quality of parts availability issues, if questions, please contact the supplier.

-  Be aware the sudden extension may occur during unpacking.

Tools needed for assembly:

- | | |
|------------------------------|-----------------------|
| ✓ Drill | ✓ Tape measure |
| ✓ Masonry drill bit, 14 mm | ✓ Level indicator |
| ✓ Wrench 13mm, 17mm and 19mm | ✓ Chalk or marker pen |
| ✓ Stepladder | ✓ Wooden hammer |

Mounting



Mounting on concrete wall or ceiling

The awnings must be installed at least at the height of 2.5 m on a reinforced concrete wall or ceiling. Please ask professionals for help if you are not sure.



Make sure the wall/ceiling is plane, so that bracket seats solidly.



WARNING Three healthy adults are needed to move and install the awning.



For safe and smooth installation think about how you will be securing the awning to the wall ahead of time.

Step 1: Chose the installation area

Ensure that you also take this drop height into account in your decision on where to install the awning. The drop angle can still be changed after assembly. The ideal drop angle, however, has already been set at the factory and may only be changed minimally.

The approximate total drop area of the awning varies depending on the type. We recommend that the awning front bar has a height of at least 2.5 m when it is fully extended.

In the event you would like to mount it above a balcony door, you should leave a space of at least 20 cm above the door frame if there is enough space available above the door frame.

Drawing 1:

Ensure that you also take this drop height into account in your decision on where to install the awning. The awning front bar should have a height between 2.5 and 4 m.

Step 2: Mark drilling holes

After choosing mounting position you can mark where you need to drill holes for the brackets. Draw a horizontal line at the height of the required place. Use a long taper measure, a level and chalk.

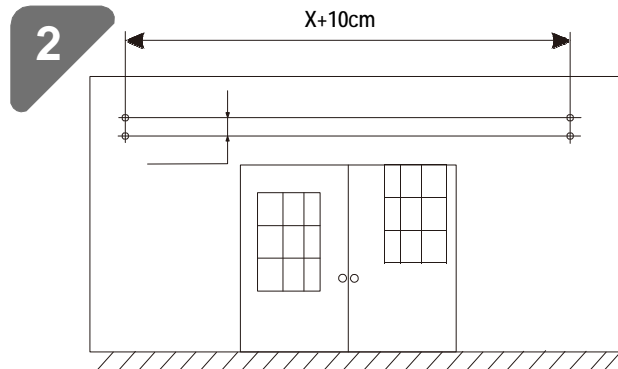
We already marked where and with what width brackets need to be mounted. Measure the width between the brackets and copy it to the line on your wall/ceiling.

Mark the corresponding places on the wall by running a marker pen through the holes at the bottom of the brackets.

Make sure the two outer brackets are located outside of the arm stands and one is located in the middle of the awning, see Drawing 2.

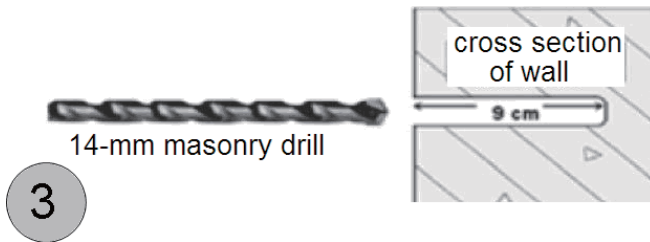
Drawing 2:

Mark where you need to drill holes for brackets with a chalk line to ensure awning is straight.



Step 3: Drill holes

Use 14-mm masonry drill to drill the holes for the brackets at the appropriate marks on the wall. The holes should be 9 cm deep in the wall and must be drilled through solid masonry or concrete. Do not bore through mortar because this does not offer the strong enough support that is required by the installation of awning.





Drawing 3:

Use 14-mm masonry drill to drill 9 cm deep holes.

Step 4: Insert anchors into wall

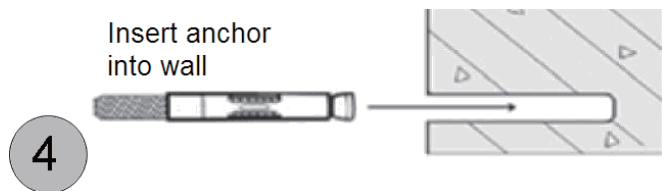
After drilling the holes you can insert the anchors into the wall. Remove lock nut, washer and locking ring before you insert the anchor. Store these parts so that you can reach them easily in the next step.

 It may be necessary to drive the anchor bolts in with a wooden hammer because they do not go in easily. Do not use a metal hammer for this purpose because this could damage the threads on the top of the bolts.

 If the bolts need to be driven into the wall with a hammer, we recommend initially placing the nut on the screw loosely (only placing it loosely on the bolt) because this avoids damage to the bolt threads.

Drawing 4:

Insert the anchor into the drilled hole as shown in picture on the right

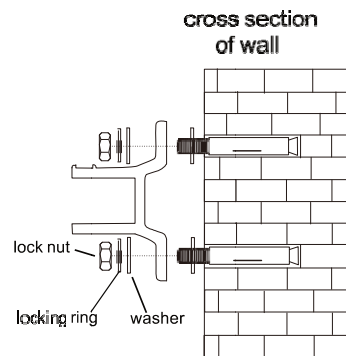


Step 5: Fixing the brackets

Place the bracket on the screw protruding from the wall. Then add locking ring and washer and fix the bracket with lock nuts. Tighten them well.

Drawing 5:

Bracket has been prepared to be fixed on a wall. Choose the whole you need to fix them according to drawing.



5

5.1

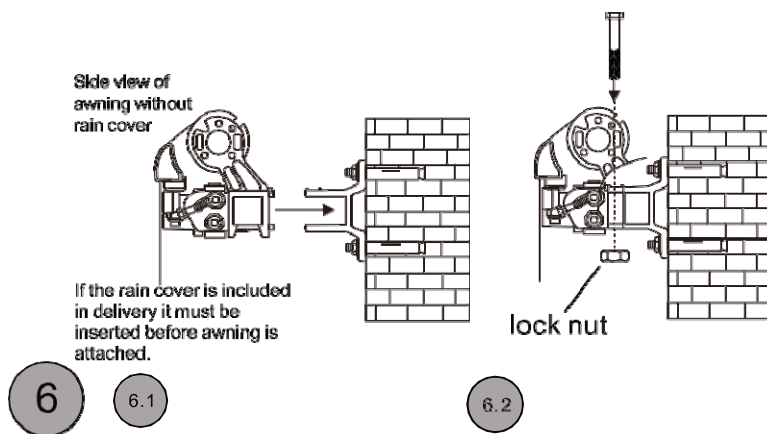
☞ Firmly tighten the bolts with a 17mm wrench: it is best to use a wrench with a closed end rather than an open end because this will avoid damage to the nut if it should slip. As soon as they are fully inserted, the brackets must sit firmly in the wall. If they are still moving in any form, you must further tighten it. Ensure that the wall brackets are screwed firmly to the wall, so that they can in no case tear out when the awning is installed.

☞ Do not try to secure the wall brackets to loose wall stones or any surfaces that are not absolutely firm.

Step 6: Install awning

After all three brackets have been mounted properly you can fix the awning. At least **three** ladders are required to install the awning in order to obtain the required height. Ensure that the ladders are firmly resting on the ground so that you cannot fall. Only use ladders that are suitable for such assembly work.

Insert the awning into brackets as shown in drawing below. Then immediately insert the safety screw and fix it with lock nut. Attachment brackets for wall and ceiling installation:



Drawing 6:

Insert awning to bracket as shown. Fix the awning with delivered safety screw and lock nut and tighten it properly.



In case the square tube cannot be inserted into the wall brackets, you should slightly loosen the wall bracket screws and then try it once again. This time, move the awning slightly forward and backwards until the bearing tube slips into the brackets. Then immediately insert the safety screw and fix it with lock nut. Use a 19 mm wrench to tighten it. Attention Also tighten the safety screws of wall brackets again and ensure that they have been adequately secured.



After the awning has been mounted properly and has been adequately secured please take away the protective band that you can find on the arm of the awning. Otherwise it cannot be opened. Store the protective band; you can use it in future when storing the awning.

Attention: Misplacing and misapplying the awning can cause seriously danger. Only mount the awning yourself when you understand the mounting instructions completely and when you are sure that the wall or ceiling you want to mount the awning on is suitable. For your own and the safety of other people please contact an authorized assembler for help.

Operation

Adjusting the pitch angle

The awning is already delivered with an optimally adjusted pitch angle. However, users can adjust the screen angle within a range of 5 - 45 degrees as desired.

Extend the awning no more than 1/4 of its full projection before adjusting.



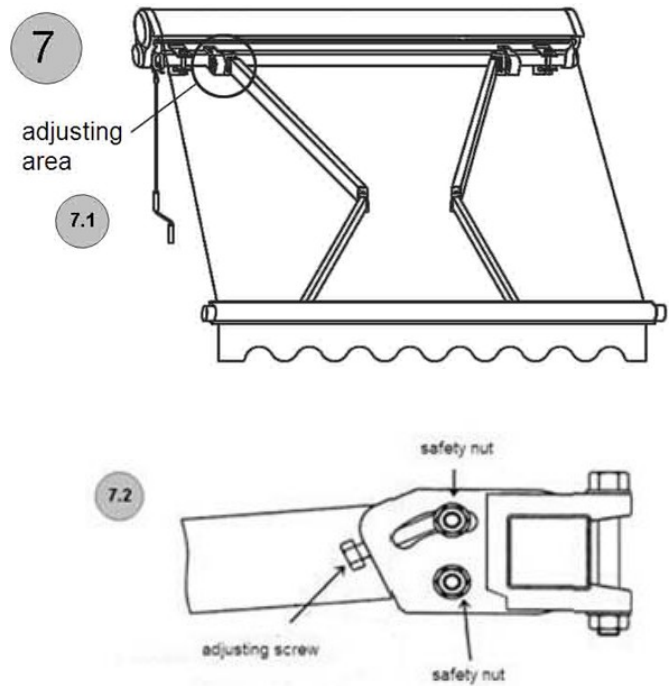
Once you have achieved the highest possible range of pitch, the loop cannot be turned any farther. Do not force it Failure to follow these instructions can damage the flex pitch shoulder and void the warranty.

Drawing 7:

The pitch angle can be adjusted on all arms in the adjusting area (7.1).

Take off the plastic caps, loosen the locking bolts 9 with a 14mm wrench.

Turn the adjusting screw clockwise to decrease the pitch angle; turn counter-clockwise to increase the pitch angle. When achieved to the desired pitch angle, tighten the safety nuts and put the plastic caps back on it (7.2).



Follow the same procedure until all arms have been adjusted to the desired level.

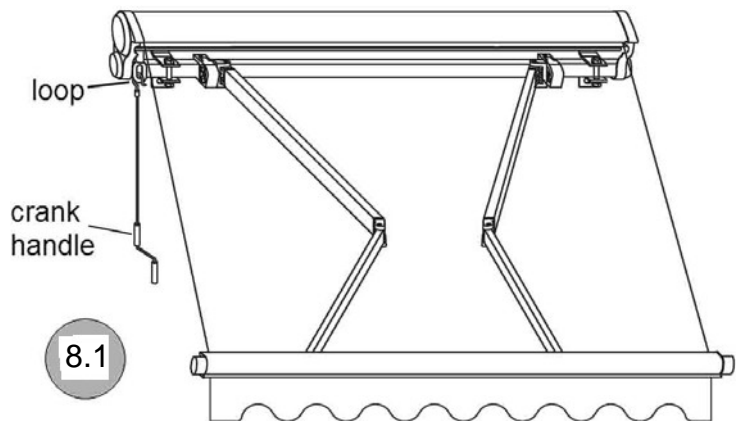
- ☞ **The front bar must always be level.** To ensure that both sides are completely level, a built-in level is located on the front bar: the air bubble must be exactly in the middle of the level.
- ☞ Place the plastic caps on the screws to protect them against weather based corrosion. Always remove the crank handle and keep it in a safe and dry place.

Extend and retract the awning

The awning can be extended and retracted by a crank handle included in delivery or remote control.

Drawing 8.1:

Insert the handle in the loop that is fixed at the awning. Open the awning by turning the crank handle clockwise. By turning it counter-clockwise you can retract the awning.



The awning can be extended and retracted by a remote control included in delivery.

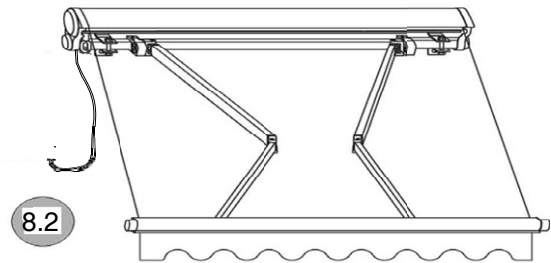
Drawing 8.2:



Press the extension button "EXT" for the awning extension. The roller moves up and the awning will be extended.

Press the retract button "RET" to close the awning. The roller moves down and the awning will be retracted.

Press the stop button "STOP" to stop the extension/ retraction of the awning.



Remote control



The awning's crank gear has no stop to limit revolutions of the roller tube. To avoid damage to the fabric, therefore, the awning fabric must always be properly rolled up.



The awnings are intended as a protection against the sun only. It is not to be used during periods of strong wind, rain, hail, or snow. In case of such conditions, retract the awning immediately.



Never allow children to play with the awning.



Be sure the fabric is tensioned. If the fabric is not tensioned during extension, please turn counter-clockwise until the fabric is tensioned.



Do not put any objects or parts of your body e. g. hands, in the awning while extending and retracting. Hazard of crush



When the front bar touches the roller as shown in following figure during retraction, don't try to make them closer, otherwise the product might be damaged.



Take out the crank handle from loop after adjusting the awning as you wish and put it on a place that is not reachable for children to avoid that they play with the awning.

Engine setting(off/on setting)

Factory default setting is best for the engine .

Larger settings before its use should therefore not be necessary. In the following cases, however, the engine should be a bit readjusted if:

- 1 Theawningdoesn` t close completely.
- 2 The cover isloose.
- 3 The engine is not running yet, although the awning is fully closed.

- ☐ Change the maximum distance of the awning, by using the enclosed tool. Use the motor adjustment tool to adjust the motor,.
- Use the front motor adjustment screw to adjust the maximum distance (see Figure M).
- ☐ Turn the adjustment screw with the tool in counterclockwise direction "+" to increase the maximum distance.
- ☐ Turn the adjustment screw with the tool 20 in a clockwise direction "-" to reduce the maximum distance.
- ☐ Use the rear adjustment screw to adjust the minimum distance(see FigureN).
- ☐ Turn the adjustment screw withthetool in counter-clockwise direction "+" in order to increase the minimum distance.
- ☐ Turn the adjustment screw withthetool in clockwise direction "-" to reduce the minimum distance.

NOTE: If the motor does not start on after repeated on setting, please wait 30 minutes and start it again afterwards.

NOTE: Over loading the motor is not good. Doing so may shorten its lifespan.

Handling of the remote control

Note: There are legal limitations for the transmission range of radio waves. The maximum range is also limited by physical obstacles.

- ☐ Before installing, check whether the remote device and the awning are working correctly ,Before you install the hooks. To allow reaching almost every vertical area below.

Make sure that the mount is in a place to install the corresponding prescribed protection (IP 20) of the remote .

- ☐ Do not mount on metal or magnetic objects to avoidinterference.

Battery/Use

NOTE: When you insert the battery make sure that the contacts are not bent.

- ☐ Open the battery compartment with the spanner in the battery compartment lid in the direction of the battery compartment and press the battery compartment cover , then the battery compartment slides.
- ☐ Put the battery in accordance with polarity and labeling in thebattery
- ☐ Close the battery compartment , by clicking the two extensions of the battery compartment lid in the two cutouts on the battery compartment.
- ☐ Then press the skewer of the battery compartment lid into the hole at the battery compartment. The battery compartment cover snaps in with a click.
- ☐ If the remote control could not function, then check whether the batteries are inserted correctly and put them again if necessary.

General notes of the awningfabric

Awning fabrics are high performance products. Nevertheless, even given today's state of the art and the requirements imposed by environmental protection, there are limits to perfection. Certain appearances in the fabric that are sometimes objected to are still possible despite sophisticated production and processing technology.

Basically, these effects occur to different degrees in almost all awning fabrics. They do not decrease the quality of the fabrics in any way, however.

To avoid irritation, we would like to expressly draw your attention to the following characteristics in terms of consumer education:

- ◆ Creases are created during fabrication and when folding the awning fabric. In the course of this process, especially in lighter colors, surface effects can be created in the crease (pigment displacements), which appear darker with backlight (like stripe of dirt). They do not decrease the value or the performance of theawning.
- ◆ Chalk effects are light stripes that are created when processing refined goods and cannot be totally avoided even with the greatest of care. Thus, they also do not constitute a reason for complaint. ,
- ◆ Rain impermeability: Acrylic and polyester sun protection awning materials are impregnated with water-repellents and at a minimum tilt of 14 degrees will withstand a light, short rain. In stronger or longer rain, awnings must be retracted to avoid damage. Awnings that are rolled up wet should be extended again as soon as possible for drying.
- ◆ Ripples in the seam, stitch and panel areas are caused by multiple layers of the fabric and various winding strengths in the roller tube. Fabric tension thus caused can cause ripples (e.g. waffle or herringbone patterns).
- ◆ The fabric's yarn need not be the same⁹ color as the part of the fabric that contains the seam.

